

Wavian

THE WATER FILTER SPECIALISTS

Stainless Steel Gravity Filter



Wavian is a brand name of Green Valley Industrial Supplies. Unit A1 Ground Floor, Meridian House, Meridian Business Park, Norwich, Norfolk NR7 0TA. For more information call **01508 493 647** or email **sales@wavian.net**.

Visit our website **www.jerrycans.co.uk**

Wavian

Gravity Filter Installation Guide

Thank you for purchasing a Wavian Stainless Steel Gravity Filter System. Your Wavian Gravity Filter comprises of an upper chamber where the filter cartridges are located and a lower chamber where the purified water is stored.

The 7 Litre Filter (WVF-GRV-SS-7L) has two filter cartridge holes and the 14 Litres Gravity Filter (WWF-GRV-SS-14L) has four filter cartridge holes. The more filter cartridges your gravity filter system has installed, the faster the flow and the higher the volume of filtered water.

Your purchase of a Wavian Gravity Water Filter will help protect you from water borne diseases. The filter uses both activated coconut carbon and ceramic carbon filter cartridges.

We recommend that anyone using a Wavian Gravity Filter System takes time to study this guide as it contains essential information needed to ensure easy installation and trouble-free use.

Chapter One: Principal Components

Chapter Two: Installation

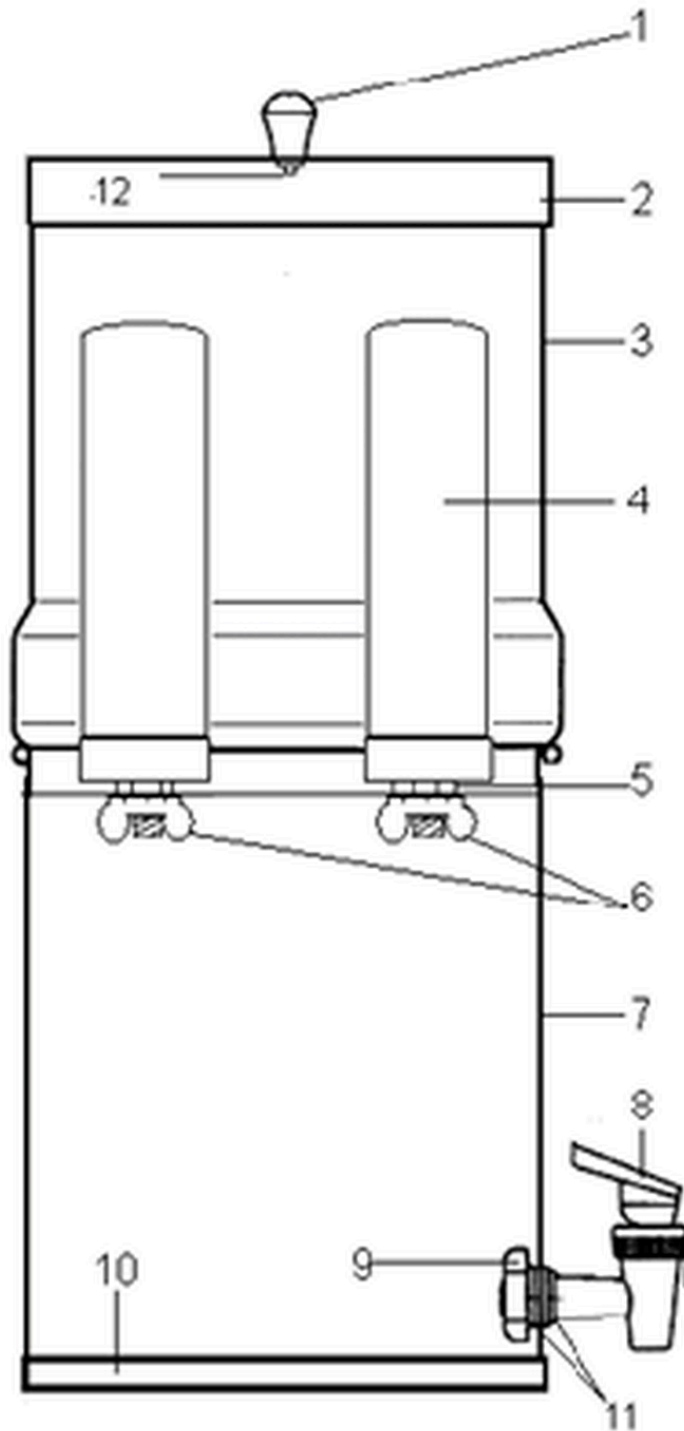
Chapter Three: Operating Instructions & Maintenance



Chapter One

Gravity Filter Principal Components

Starting from the top the first component in the system is the black lid knob (1) and is connected to the lid (2). The upper housing (3) sits on top of the lower housing (3) and are held in place by the wing nuts (6) and washers (5). The tap (8) is connected to the lower housing (7) and is fastened with tap nut (9) and washers (11). The final component is the non-slip rubber ring (10).



An optional cartridge for fluoride removal can be used in place of the wing nuts to fasten the top cartridges (4).

Chapter Two

Assembly Instructions

1. Remove the filter housings and cartridges from the packaging and check against the illustration.
2. Hygiene is essential. To ensure contamination does not occur fit KNOB (1) onto the LID (2) and insert SCREW (12) through the hole in the LID (2) screw on the KNOB(1) by hand only.
3. Push the sealing washer (5) over the threaded section of the filter cartridge (4) mount.
4. Place the filter cartridges (4) into the holes in the upper section (3). Secure the filter cartridges into the upper section (3) by screwing the filter cartridge wing nut (6) onto the threaded filter cartridge mount from underneath the upper section.
5. Push one washer (11) over the thread of the tap (8) and secure the tap into the hole provided in the bottom section (7) with the other washer (11) and the securing nut (9).

Assembly Instructions (continued)

6. Place the upper stainless steel section (complete with installed filter cartridges and lid) onto the bottom stainless steel section (7). Fit the non slip/anti condensation base rubber ring (10) onto the lower section.
7. Ensure the TAP (8) is in the 'OFF' position and fill the stainless steel upper section (3) with water. The water from the upper section will now filter through the Carbon or Ceramic filter cartridges into the bottom section giving you fresh, filtered drinking water.
8. Discard the first batch of filtered water, this will flush the cartridges.

Chapter 3

Ongoing product care / maintenance

DO NOT USE SOAP, DETERGENTS OR BLEACH WHEN CLEANING THE FILTER HOUSINGS.

We strongly recommend that the filters are replaced at a minimum of 12 monthly intervals. If you are away for more than a few days we recommend you empty the filter. When you return fill the system with water and flush it through to ensure your next batch of water will be filtered and fresh.

Replacement filters are available to purchase from our Wavian Filters Website www.jerrycans.co.uk/product-category/water-filters

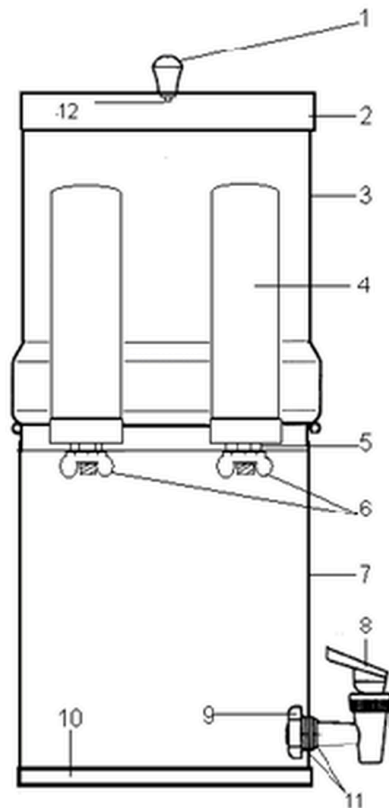
- NEVER keep the filter where the water can freeze, as this will break the ceramic and damage the seals.
- Check the filter regularly for water leaks as these may indicate faulty installation or maintenance.
- Keep this user guide in a safe place for reference.
- For optimum performance clean and replace the filters regularly in accordance with these instructions.

For further assistance contact us via sales@wavian.net or call +44 (0)1508 493647

Wavian

THE WATER FILTER SPECIALISTS

Stainless Steel Gravity Filter - Cartridge Replacement Instructions



Gravity Filter Content List

1. Lid Knob
2. Lid
3. Housing Upper
4. Filter Cartridges
5. Washers
6. Wingnuts
7. Housing Bottom
8. Outlet Tap
9. Tap Nut
10. Anti Condensation Ring
11. Washers

1. Remove the used filter cartridge(s) (4) from the upper section (3) by unscrewing the wing nut (6) making sure you keep the washer (5) in a safe place for refitting later.
2. Remove the new carbon and ceramic cartridges from the packaging. **IMPORTANT:** Make sure you gently shake the cartridges horizontally to spread the media along the cartridge, as the media may settle at one end of the cartridge.
3. Push the sealing washer (5) over the threaded section of the cartridge (4).
4. Place the filter cartridge(s) (4) into the holes in the upper section (3). Secure the cartridge(s) into the upper section (3) by screwing the cartridge wing nut (6) onto the threaded cartridge mount from underneath the upper section (9).
5. Place the upper section (complete with cartridges and lid) onto the bottom section (7). Ensure the tap (8) is in the 'OFF' position and fill the upper section (3) with water. The water from the upper section will now filter through the ceramic cartridges into the bottom section giving you clean drinking water.
6. Discard the first batch of purified water. This will have flushed the cartridges and you can now use the system as normal.

Wavian is a brand name of Green Valley Industrial Supplies. Unit A1 Ground Floor, Meridian House, Meridian Business Park, Norwich, Norfolk NR7 0TA. For more information call **01508 493 647** or email **sales@wavian.net**.

Visit our website **www.jerrycans.co.uk**

Wavian