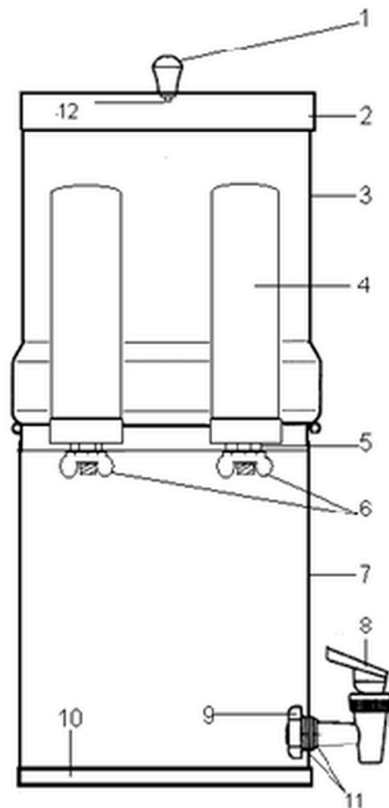


Wavian

THE WATER FILTER SPECIALISTS

Stainless Steel Gravity Filter - Cartridge Replacement Instructions



Gravity Filter Content List

1. Lid Knob
2. Lid
3. Housing Upper
4. Filter Cartridges
5. Washers
6. Wingnuts
7. Housing Bottom
8. Outlet Tap
9. Tap Nut
10. Anti Condensation Ring
11. Washers

1. Remove the used filter cartridge(s) (4) from the upper section (3) by unscrewing the wing nut (6) making sure you keep the washer (5) in a safe place for refitting later.
2. Remove the new carbon and ceramic cartridges from the packaging. **IMPORTANT:** Make sure you gently shake the cartridges horizontally to spread the media along the cartridge, as the media may settle at one end of the cartridge.
3. Push the sealing washer (5) over the threaded section of the cartridge (4).
4. Place the filter cartridge(s) (4) into the holes in the upper section (3). Secure the cartridge(s) into the upper section (3) by screwing the cartridge wing nut (6) onto the threaded cartridge mount from underneath the upper section (9).
5. Place the upper section (complete with cartridges and lid) onto the bottom section (7). Ensure the tap (8) is in the 'OFF' position and fill the upper section (3) with water. The water from the upper section will now filter through the ceramic cartridges into the bottom section giving you clean drinking water.
6. Discard the first batch of purified water. This will have flushed the cartridges and you can now use the system as normal.

Wavian is a brand name of Green Valley Industrial Supplies. Unit A1 Ground Floor, Meridian House, Meridian Business Park, Norwich, Norfolk NR7 0TA. For more information call **01508 493 647** or email **sales@wavian.net**.

Visit our website **www.jerrycans.co.uk**

Wavian